

80 Series Push Button Pendant Features

The Conductix-Wampfler 80 Series Push Button Pendants are available with a wide variety of switch types, options, and accessories for easy customization. You can get from 2 to 12 buttons in a standard configuration or up to 24 buttons in a duplex configuration.

80 Series Pendants are ideal for:

- Overhead crane control
- Monorail and hoist control
- Conveyor and elevator control
- Workstations
- Assembly lines
- Other industrial machines

Enclosure Features:

- High impact, yellow ABS enclosure
- Two-piece design to simplify field wiring
- Rated NEMA 4X (IP65); indoor or outdoor use
- Shock resistant to 100 g.
- Double-insulated to withstand 2500V
- UL/cUL Listed



General Switch Features:

- One, two, and three-speed operators
- Silicon-booted buttons
- Easy-force buttons with positive detents for speed selections
- Switch contacts rated at 5 A (at 120 VAC)
- 5° F to 160° F (-15° C to 70° C) operating temperature range
- 5A @ 120VAC & 240VAC, 2A @ 24VDC & 12VDC, & .4A @ 120VDC

Cable Packing Gland

Furnished with bushing available in 16 sizes; assures water tight seal.

Lamp & Horn Switch

Knock-out holes in .47 inch (12mm) and .75 inch (19mm) diameters. Available for a lamp and horn switches on 6 through 12 button enclosures.

Fasteners

Self-captive stainless steel hardware and threaded inserts in housing to prevent thread stripping.

Buttons

Silicone Rubber booted buttons. Seals out dirt and moisture. Available in red, green, and black.

Jumpers

Included with all pre-assembled pendants - See Pg. 16.

Cable Bushings

Available in 10 sizes from 0.30 in. to 1.16 inches (7.5mm to 29.5mm).

Bushing Collar

Three sizes for cable diameters from 0.30 inches to 1.16 inches (7.5mm to 29.5mm).

Hanger Ring

Located on the back of the bushing collar. For external strain relief connection. 'S' hook is available for strain relief cable connection - see Pg. 15.

Enclosure

Ergonomic design, visible safety yellow, shock and vibration resistant, rugged ABS, 2 through 12 button. Standard Back or Deep Back styles. Two piece enclosure simplifies field wiring.

Button Legends

Standard button legends are included. Vertical, selector, and mushroom legends are also available.



Complete 80 Series Push Button Pendants



Part No. 34227 Shown

All Pendant Stations are fully assembled and include enclosure, operators, cable bushing, "S" hook and button legend sheet. Contact Conductix-Wampfler or your local representative for custom pendant stations. Jumpers included on assembled pendants only.

No. of Buttons	Switch Arrangement	Complete Unit Part No.	Bushing Part No.
2	Momentary On/Off (Red, Green)	34212	34411
2	Maintained On/Off (Red, Green)	34213	34411
2	Two 1-Speed	34214	34411
2	Two 2-Speed	34215	34411
2	Two 3-Speed	34216	34411
4	Two 1-Speed, With Momentary On/Off (Red, Green)	34217	34412
4	Two 1-Speed, With Maintained On/Off (Red, Green)	34218	34412
4	Two 2-Speed, With Momentary On/Off (Red, Green)	34219	34412
4	Two 2-Speed, With Maintained On/Off (Red, Green)	34220	34412
4	Two 3-Speed, With Momentary On/Off (Red, Green)	34221	34412
4	Two 3-Speed, With Maintained On/Off (Red, Green)	34222	34412
4	Four 1-Speed	34223	34412
4	Four 2-Speed	34224	34412
4	Four 3-Speed	34225	34412
6	Four 1-Speed, With Momentary On/Off (Red, Green)	34226	34414
6	Four 1-Speed, With Maintained On/Off (Red, Green)	34227	34414
6	Four 2-Speed, With Momentary On/Off (Red, Green)	34228	34414
6	Four 2-Speed, With Maintained On/Off (Red, Green)	34229	34414
6	Four 3-Speed, With Momentary On/Off (Red, Green)	34230	34414
6	Four 3-Speed, With Maintained On/Off (Red, Green)	34231	34414
6	Six One Speed	34232	34414
6	Six Two Speed	34233	34414
6	Six Three Speed	34234	34414
8	Six 1-Speed, With Momentary On/Off (Red, Green)	34235	34414
8	Six 1-Speed, With Maintained On/Off (Red, Green)	34236	34414

Complete 80 Series Push Button Pendants



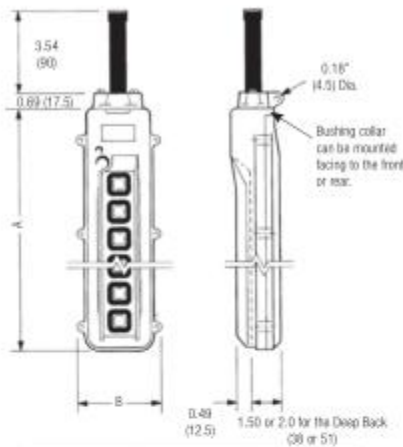
Part No. 34227 Shown

All Pendant Stations are fully assembled and include enclosure, operators, cable bushing, "S" hook and button legend sheet. Contact Conductix-Wampfler or your local representative for custom pendant stations. Jumpers included on assembled pendants only.

No. of Buttons	Switch Arrangement	Complete Unit Part No.	Bushing Part No.
8	Six 2-Speed, With Momentary On/Off (Red, Green)	34237	34414
8	Six 2-Speed, With Maintained On/Off (Red, Green)	34238	34414
8	Six 3-Speed, With Momentary On/Off (Red, Green)	34239	34414
8	Six 3-Speed, With Maintained On/Off (Red, Green)	34240	34414
8	Eight 1-Speed	34241	34414
8	Eight 2-Speed	34242	34414
8	Eight 3-Speed	34243	34414
10	Eight 1-Speed, With Momentary On/Off (Red, Green)	34244	34415
10	Eight 1-Speed, With Maintained On/Off (Red, Green)	34245	34415
10	Eight 2-Speed, With Momentary On/Off (Red, Green)	34246	34415
10	Eight 2-Speed, With Maintained On/Off (Red, Green)	34247	34415
10	Eight 3-Speed, With Momentary On/Off (Red, Green)	34248	34415
10	Eight 3-Speed, With Maintained On/Off (Red, Green)	34249	34415
10	Ten 1-Speed	34250	34415
10	Ten 2-Speed	34251	34415
10	Ten 3-Speed	34252	34415
12	Ten 1-Speed, With Momentary On/Off	34253	34415
12	Ten 1-Speed, With Maintained On/Off	34254	34415
12	Ten 2-Speed, With Momentary On/Off	34255	34415
12	Ten 2-Speed, With Maintained On/Off	34256	34415
12	Ten 3-Speed, With Momentary On/Off	34257	34415
12	Ten 3-Speed, With Maintained On/Off	34258	34415
12	Twelve 1-Speed	34259	34415
12	Twelve 2-Speed	34260	34415
12	Twelve 3-Speed	34261	34415

80 Series Pendant Enclosures and Bushings

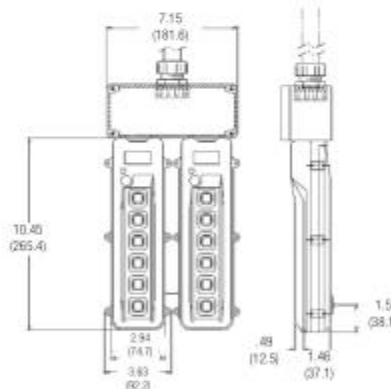
Single Enclosures



No. of Holes	"A" Dim.	"B" Dim.
2	4.49 (114)	3.07 (78)
4	7.09 (180)	3.07 (78)
6	10.31 (262)	3.23 (82)
8	12.68 (322)	3.23 (82)
10	15.24 (387)	3.43 (87)
12	17.60 (447)	3.43 (87)
12-24	Consult Factory	

Duplexed Enclosures

For details on pendants up to 24 buttons, contact the factory.



COMPLETE ENCLOSURE (FRONT AND BACK) (For different size bushings order from below)

# of Button Holes	Enclosure Depth	Inlet Size	Cable Diameter Range Inches (mm)	Part No.	Inlet Diagram
2	Standard	Small	.31 - .83 (8 - 21)	34274	
4	Standard	Small	.31 - .83 (8 - 21)	34275	
6	Standard	Small	.31 - .83 (8 - 21)	34276	
8	Standard	Small	.31 - .83 (8 - 21)	34280	
6	Standard	Large	.87 - 1.10 (22 - 28)	34278	
8	Standard	Large	.87 - 1.10 (22 - 28)	34282	
10	Standard	Large	.87 - 1.10 (22 - 28)	34286	
12	Standard	Large	.87 - 1.10 (22 - 28)	34290	
6	Deep Back	Small	.31 - .83 (8 - 21)	34277	
8	Deep Back	Small	.31 - .83 (8 - 21)	34281	
6	Deep Back	Large	.87 - 1.10 (22 - 28)	34279	
8	Deep Back	Large	.87 - 1.10 (22 - 28)	34283	
10	Deep Back	Large	.87 - 1.10 (22 - 28)	34287	
12	Deep Back	Large	.87 - 1.10 (22 - 28)	34291	

Enclosure Bushings

Correctly sized bushings are necessary to prevent moisture from getting inside of the enclosure. Order based on cable O.D. and the part number of the enclosure the bushing is to be used on.

For Enclosures 34274, 34275, 34276, 34280, 34277, & 34281:

Cable Size Range inches (mm)	Cable Bushing Part No.
.30 - .41 (7.5 - 10.5)	34411
.41 - .53 (10.3 - 13.5)	34412
.52 - .65 (13.3 - 16.5)	34413
.64 - .77 (16.3 - 19.5)	34414

For Enclosures 34278, 34282, 34286, 34290, 34279, 34283, 34287, & 34291:

.52 - .65 (13.3 - 16.5)	39825
.64 - .77 (16.3 - 19.5)	39826
.76 - .89 (19.3 - 22.5)	34415
.88 - 1.00 (22.3 - 25.5)	34416
1.00 - 1.12 (25.3 - 28.5)	34417
1.11 - 1.16 (28.3 - 29.5)	34418