



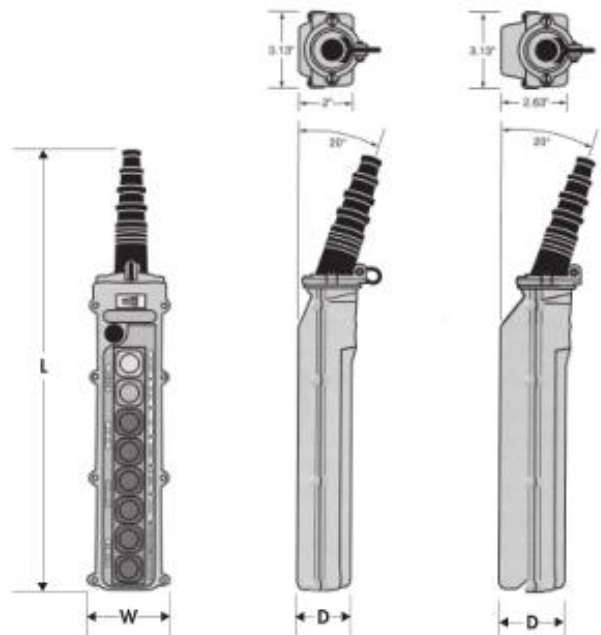
L Series Pendant Push Button Stations

Single-Speed, Two-Speed, Three-Speed and Accessories
 With Standard Multi-Step Cord Grip



- Polypropylene Construction
- NEMA 1, 3, 4, 4X and 12
- Multi-Step Cord Grip for 4 to 24 Conductor Cable
- Slim Back Profile [S] for Ergonomic Look & Feel
- Deep Back [D] Profile for Extra Wiring Space
- Strain Relief Hook and Cable Clamp Set
- Large Variety of Accessory Switches Available
- Replaceable Neoprene Boots
- Easy to Read Legend Plates (Button and Body)
- UL Listed and CSA Approved (150928)

Catalog Number	Enclosure Type	W Width	D Depth	L Length	Wt. #	Cable Range
L2-S	2 Button Shallow	3.13"	2.00"	11.75"	.56	.640" - .890"
L4-S	4 Button Shallow	3.13"	2.00"	13.25"	.64	.640" - .890"
L6-S	6 Button Shallow	3.13"	2.00"	15.50"	.74	.640" - .890"
L8-S	8 Button Shallow	3.13"	2.00"	17.75"	.88	.640" - .890"
L10-S	10 Button Shallow	3.13"	2.00"	20.00"	.96	.640" - .890"
L4-D	4 Button Deep	3.13"	2.63"	13.25"	.70	.640" - .890"
L6-D	6 Button Deep	3.13"	2.63"	15.50"	.80	.640" - .890"
L8-D	8 Button Deep	3.13"	2.63"	17.75"	.92	.640" - .890"
L10-D	10 Button Deep	3.13"	2.63"	20.00"	1.04	.640" - .890"



Pictures are for illustration purposes and may not represent actual product.
 Duct-O-Wire® recommends installation of an Emergency Stop on all Pendants.



L Series Pendant Push Button Stations

Single-Speed, Two-Speed, Three-Speed and Accessories
 With Water-Tight Bushing Cord Grip Option



L10-S
L10-D



L8-S
L8-D



L6-S
L6-D

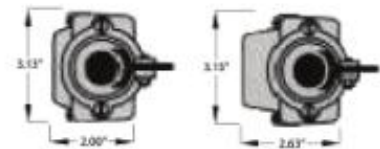


L4-S
L4-D

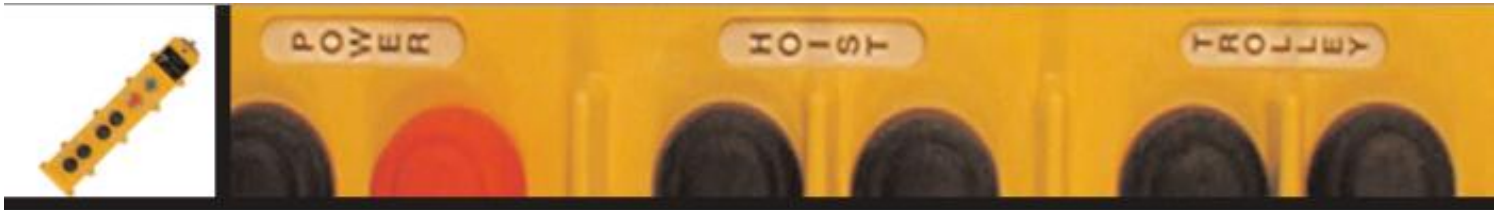


L2-S

- Polypropylene Construction
- NEMA 1, 3, 4, 4X and 12
- Water Tight Cord Grips
 - L-CG1 = .433" - .827" (RPC-414, RPC-816, RPC-1216)
 - L-CG2 = .699" - .984" (RPC-1216, RPC-1616, RPC-2416)
- Slim Back Profile (S) for Ergonomic Look & Feel
- Deep Back (D) Profile for Extra Wiring Space
- Strain Relief Hook and Cable Clamp Set
- Large Variety of Accessory Switches Available
- Replaceable Neoprene Boots
- Easy to Read Legend Plates (Button and Body)
- UL Listed and CSA Approved (150928)



Catalog Number	Enclosure Type	W Width	D Depth	L Length	Wt. #
L2-S	2 Button Shallow	3.13"	2.00"	8.75"	.61
L4-S	4 Button Shallow	3.13"	2.00"	10.25"	.68
L6-S	6 Button Shallow	3.13"	2.00"	12.50"	.81
L8-S	8 Button Shallow	3.13"	2.00"	14.75"	.92
L10-S	10 Button Shallow	3.13"	2.00"	17.00"	1.13
L4-D	4 Button Deep	3.13"	2.63"	10.25"	.74
L6-D	6 Button Deep	3.13"	2.63"	12.50"	.87
L8-D	8 Button Deep	3.13"	2.63"	14.75"	.98
L10-D	10 Button Deep	3.13"	2.63"	17.00"	1.21



J Series Pendant Stations - Polypropylene Enclosures

One-Speed through Five-Speed Control plus Accessories
 With Standard Cord Grip



J-6 Six-Button



J-8 Eight-Button



J-10 Ten-Button

Each enclosure includes a standard package of legend plates, cord grip, strain relief thimble and neoprene boots. The top accessory area on these enclosures will accept one two-button insert or two single buttons.

- Durable and lightweight Polypropylene Construction
- NEMA 1, 3, and 12
- Bright yellow for visibility and safety
- High resistance to solvents and impact
- CSA Approved
- Easy to read legend plates

Dimensions and Weights					
Enclosure Catalog Number	Dimension-Inches			Weight Lbs.	Accommodates Cable Diameter (Inches*)
	Width	Depth	Length		
J-6	3-3/4	3-3/4	16	2-1/2	.688 - 1.250
J-8	3-3/4	3-3/4	20	3	.688 - 1.250
J-10	3-3/4	3-3/4	24	3-1/2	.688 - 1.250

* Specify Cable Diameter

Cord Grip and Bushings for J Series Pendants	
Catalog No.	Cord Grip Cable Diameter (Inches)
RPC-CG4	.625 - .750
RPC-CG5	.750 - .875
RPC-CG6	.875 - 1.000
RPC-CG7	1.000 - 1.125
RPC-CG8	1.125 - 1.250



RPB Series Pendant Station - Rubber Enclosures

One-Speed and Two-Speed Control plus Accessories
 With Standard Cord Grip



RP-4



RP-3



RP-2



RP-1

Dimensions and Weights

Enclosure Size	Dimension-Inches			Weight Lbs.	Accommodates Cable Diameter (Inches*)
	Width	Depth	Length		
Two-Button	3	2-1/2	5-3/4	1-3/4	.437 - .740
Four-Button	3	2-1/2	9	2-3/4	.437 - .740
Six-Button	3	2-1/2	12-3/8	3-1/2	.437 - .740
Eight-Button	3	2-5/8	15-3/4	4-1/4	.640 - .875

* Specify Cable Diameter when the Cable Used is not within the Range Listed.

RPB Series Pushbutton Pendant Stations feature steel reinforced rubber construction with a tongue and groove cover plate to protect buttons from many elements. The RPB Series support a number of applications with single and two speed operation, momentary and maintained switches, and a variety of accessory and replacement parts. Wire mesh grips for added strain relief are available.

- Nitrile Rubber Construction
- NEMA 1, 3, 4 and 12
- UL Listed and CSA Approved

Enclosures

Each complete enclosure includes a standard package of legend plates, cord grip and strain relief bracket.

RP-1	Two-Button
RP-2	Four-Button
RP-3	Six-Button
RP-4	Eight-Button

Front Covers Only (including Legend Plate Package)

RP-1F	Two-Button
RP-2F	Four-Button
RP-3F	Six-Button
RP-4F	Eight-Button



RPS Series Pendant Station - Rubber Enclosures

One-Speed through Five-Speed Control plus Accessories
 With Standard Cord Grip



RPS-3

Eight Button - Three Motion plus Accessory Area

Each enclosure includes a standard package of legend plates, cord grip, neoprene boots and provision for a strain relief bracket. The top accessory area will accept any two-button insert or any two accessories.

- Nitrile Rubber Construction
- NEMA 1, 3 and 12
- CSA Approved

Enclosure Catalog Number	Dimensions and Weights				
	Dimensions - Inches			Weight Lbs.	Accommodates Cable Diameter (Inches)
	Width	Depth	Length		
RPS-3	4	2-1/2	20	7-3/4	.688 - 1.250

PSW Series Station - Aluminum Enclosure

One-Speed through Five-Speed Control
 With Standard Cord Grip

- Cast Aluminum Construction
- Not NEMA Rated



PSW-1

PSW-2

PSW-3

Eight Button - Three Motion plus Accessory Area

Each enclosure includes a cord grip, neoprene boots and provision for a strain relief bracket. Consult factory for accessory area switch options.

Specify legend markings at time of order to be stamped on enclosure.

Enclosure Catalog Number	Dimensions and Weights				
	Dimensions - Inches			Weight Lbs.	Accommodates Cable Diameter (Inches)
	Width	Depth	Length		
PSW-1	2.725	2-1/8	7	2	.688 - 1.250
PSW-2	2.725	2-1/8	13-1/4	3-1/4	.688 - 1.250
PSW-3	3.000	2-1/8	17-1/2	4-1/4	.688 - 1.250



Square D® Pendant Stations

Cord Grip Sold Separately



9001SKYP4



9001SKYP6



9001SKYP8



9001SKYP10

Square-D® 9001SKYP Series

- High Impact Polycarbonate Construction
- NEMA 1, 3, 4, 4X and 13
- Uses 1, 2, 3 and 5 Speed Inserts
- Operating Range -13 to + 140 degrees F
- UL Listed and CSA Approved
- Comes with Hanger Bracket installed
- Complete Line of Accessory Switches

SKYP Series Dimensions and Weights					
Enclosure	Dimension - Inches			Weight Lbs.	Cord Grip (NPT) *
	Width	Depth	Length		
9001SKYP4	4	4	13-1/2	2-1/2	3/4"
9001SKYP6	4	4	18	3	1"
9001SKYP8	4	4	22	3-1/2	1-1/4"
9001SKYP10	4	4	27	4-1/2	1-1/4"

* Cord Grip and Bushing Sold Separately